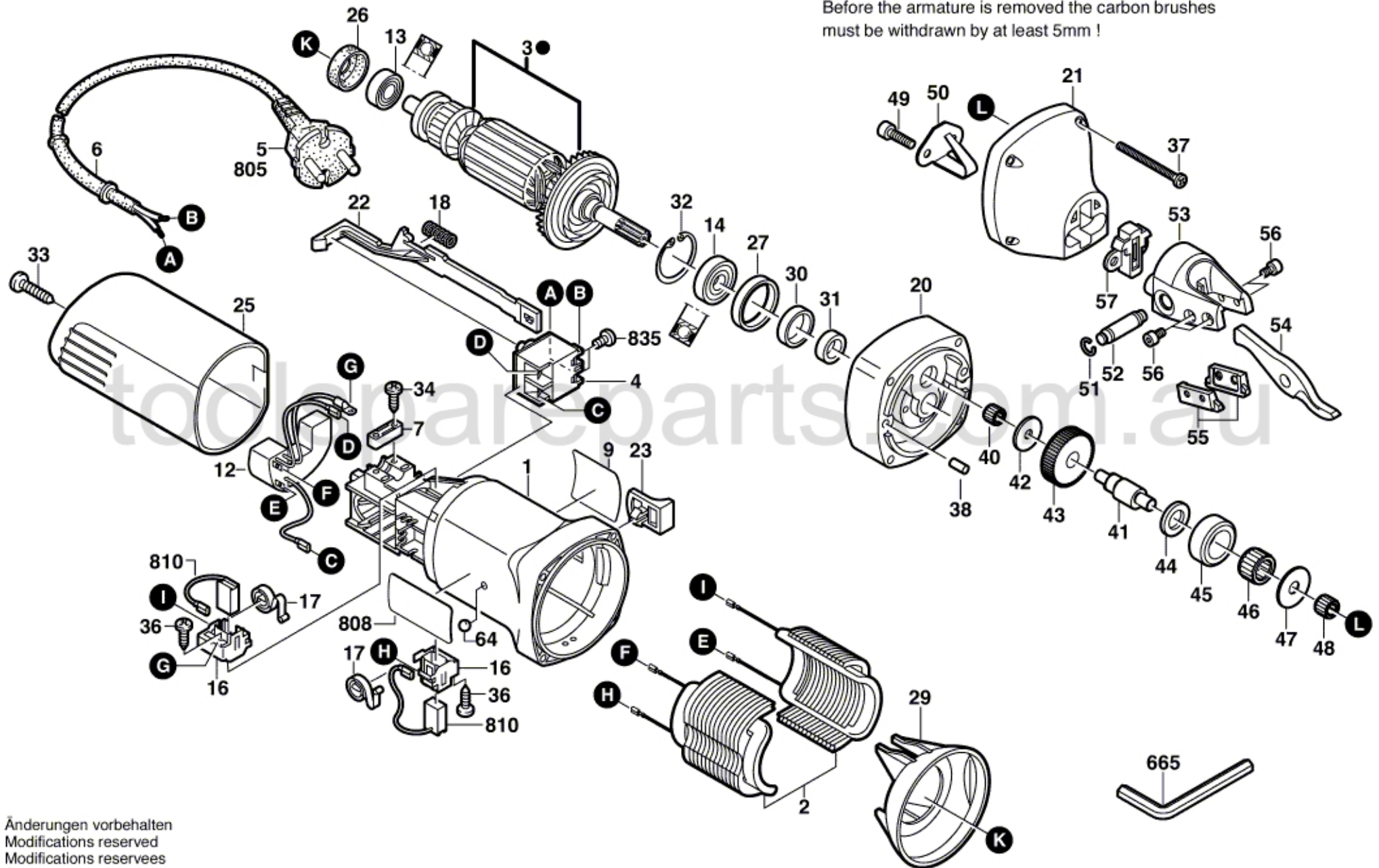


**Fig./Abb. 1**



● Vor Demontage des Ankers  
Kohlebürsten 5mm zurückziehen !  
Before the armature is removed the carbon brushes  
must be withdrawn by at least 5mm !